

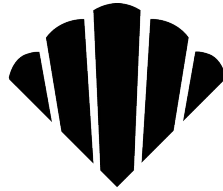
# DEX Seating

(140 Armless)

(141 Left Arm)

(142 Right Arm)

(143 Club Chair)



## SEASIDE CASUAL

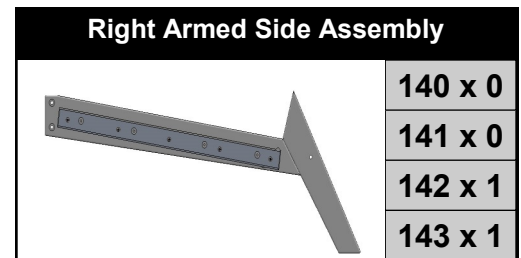
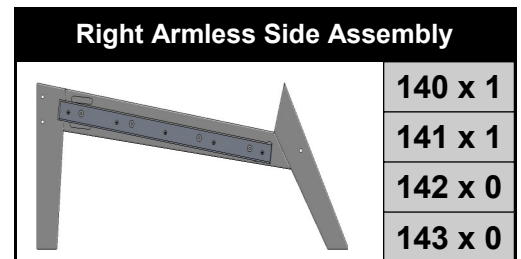
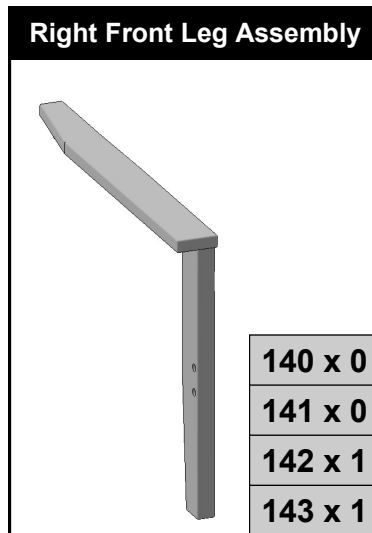
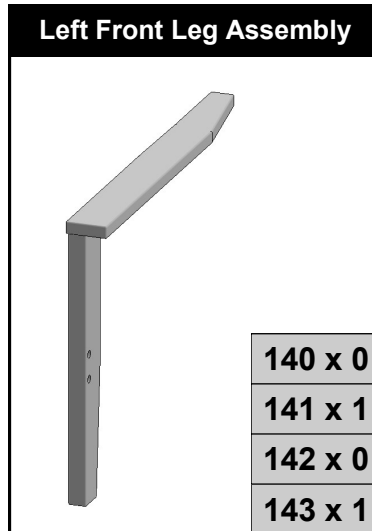
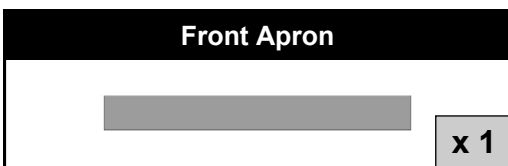
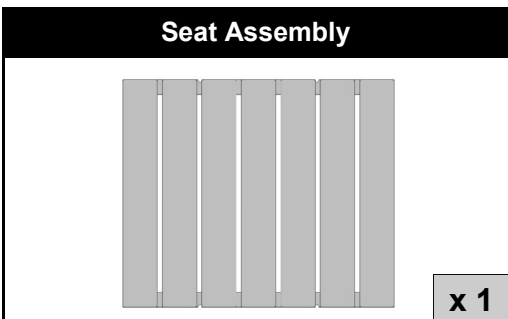
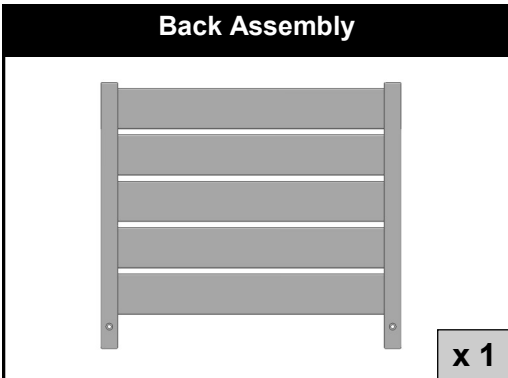
### ASSEMBLY INSTRUCTIONS

**1**

**PLEASE READ INSTRUCTIONS COMPLETELY BEFORE BEGINNING.**

Carefully remove contents from box. Make sure that all parts and hardware are included using the Parts List below.

**Tools Required:** 4mm Allen Wrench (included); #2 Phillips Head Screwdriver; Rubber Mallet



WARRANTY QUESTIONS OR COMMENTS PLEASE CALL TOLL FREE AT 1-800-809-3114

## Parts List Continued:

### 4mm Allen Wrench

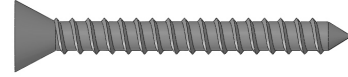
Actual Size



Part Code: 4MMALLEN **x 1**

### 1-3/4" Phillips Head Screw

Actual Size



Part Code: 316-8X1-3/4PFDS **x 10**

### 50mm Hex Lag

Actual Size



Part Code: 316-1/4-10-50HL **x 12**

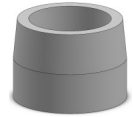
### 3/4" Phillips Pan Head Screw

Actual Size



Part Code: 316-8X3/4PTS **x 10**

### 5/8" tap®

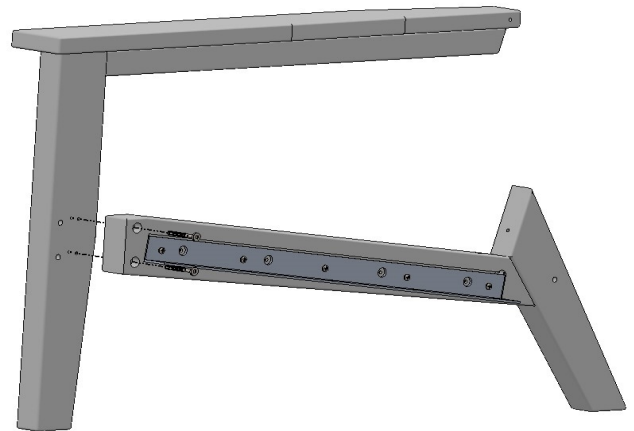


**x 10**

# 2

## ATTACH SIDE TO FRONT LEG ASSEMBLY (ARMED VERSIONS ONLY)

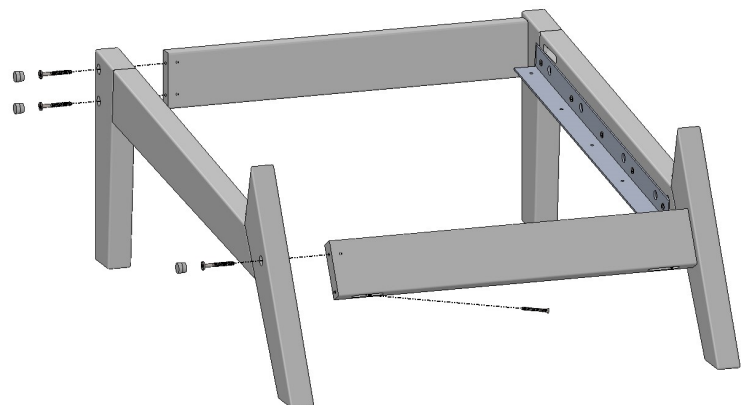
Align Front Leg Assembly with corresponding Side Assembly as shown. Secure using (2) 50mm Hex Lags thru counter-bores in Side Assembly into pilot holes in Front Leg.



# 3

## ATTACH APRONS TO SIDE ASSEMBLIES

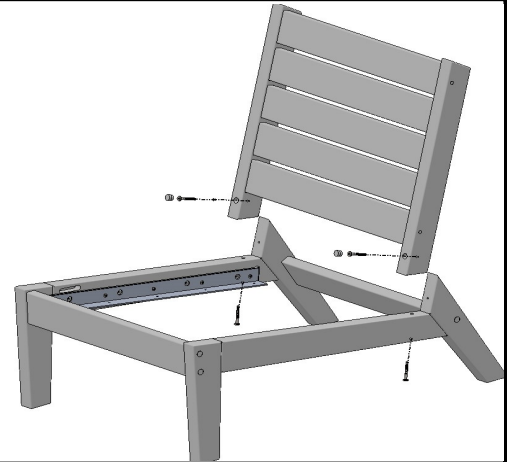
Align Front and Rear Apron (Rear Apron has pocket for screw) as shown. Secure using (6) 50mm Hex Lags thru counter-bored holes in Legs into pilot holes in Aprons. Secure Rear Apron using (2) 1-3/4" Phillips Head Screws thru pockets into Rear Legs. Plug Holes with 5/8" taps®.



# 4

## ATTACH BACK ASSEMBLY

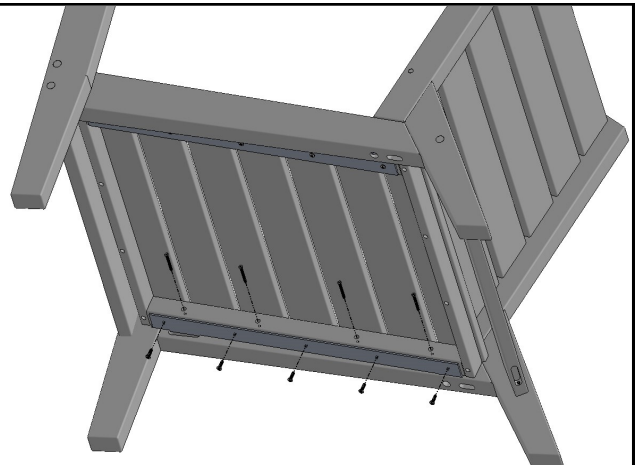
Align Back Assembly as shown. Secure using (4) 50mm Hex Lags thru counter-bored holes in Side Aprons thru pilot holes in Back. And thru counter-bores in Back Assembly into pilot holes in Rear Legs. Plug Holes in Back with 5/8" taps®.



# 5

## ATTACH SEAT ASSEMBLY

Secure Seat Assembly using (8) 1-3/4" Phillips Head Screws thru counter-bores in Seat into Pilot holes in Side Assembly. Then use (10) 3/4" Pan Head Screws thru Aluminum into bottom of Seat Support.



# 6

## ATTACH ARMS TO BACK (ARMED VERSIONS ONLY)

Attach rear of Arm to Back Assembly using (1 per Arm) 50mm Hex Lag thru counter-bore hole in rear of Back Assembly into pilot hole in rear of Arm. Plug hole with 5/8" tap®.

