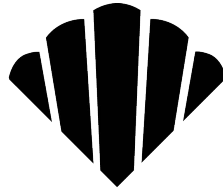
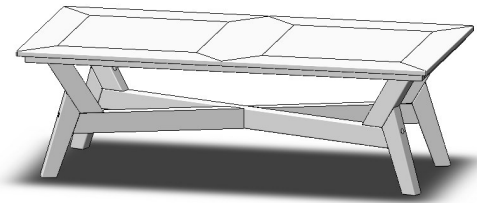


# DEX Coffee Table

150



## SEASIDE CASUAL

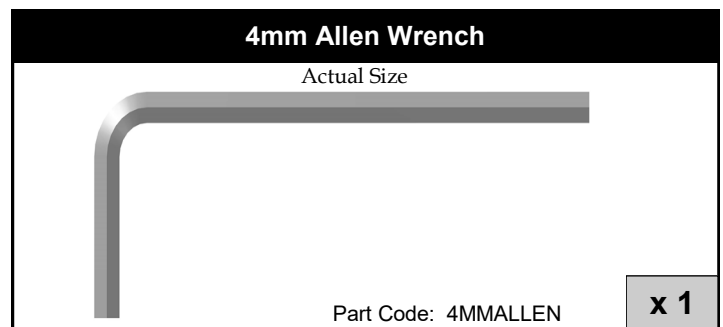
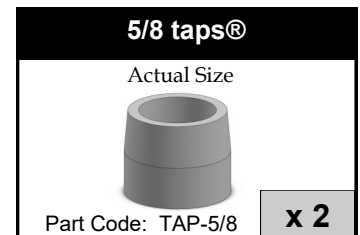
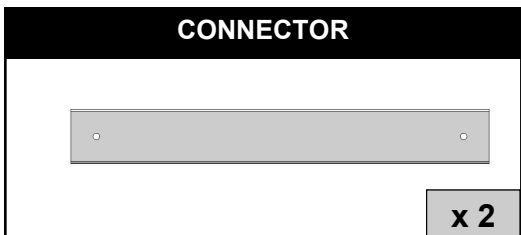
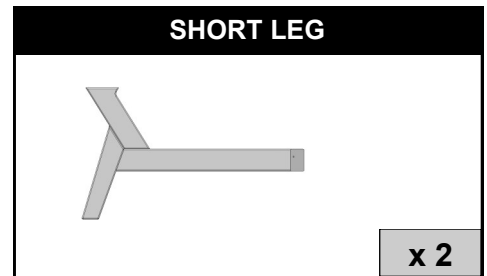
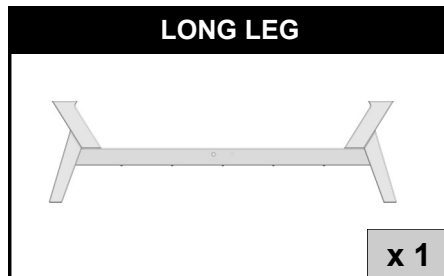
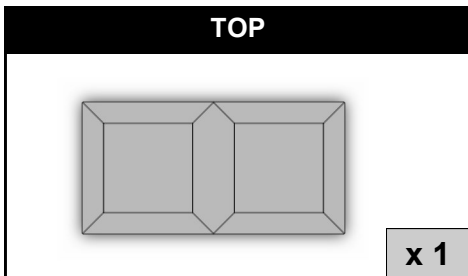


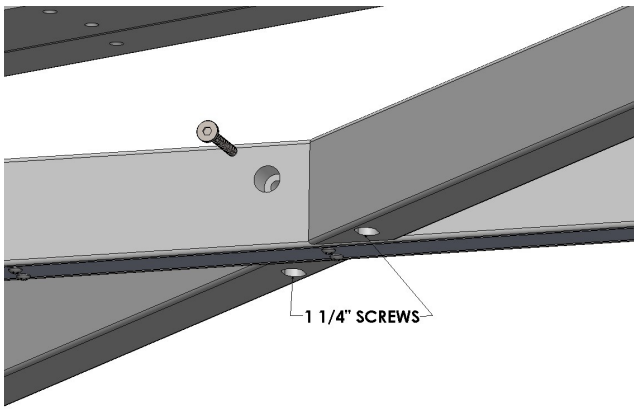
### ASSEMBLY INSTRUCTIONS

# 1

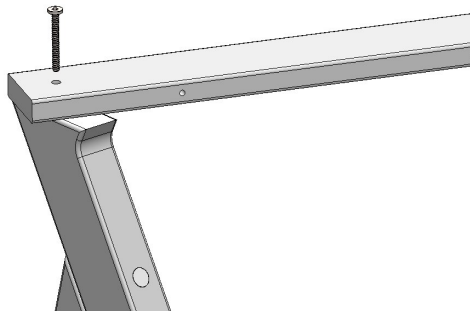
**PLEASE READ INSTRUCTIONS COMPLETELY BEFORE BEGINNING.**  
Carefully remove contents from box. Make sure that all parts and hardware are included using the Parts List below.

**Tools Required:** 4mm Allen Wrench (included); #2 Phillips Head Screwdriver;  
(Recommended: Rubber Mallet; Power Drill)

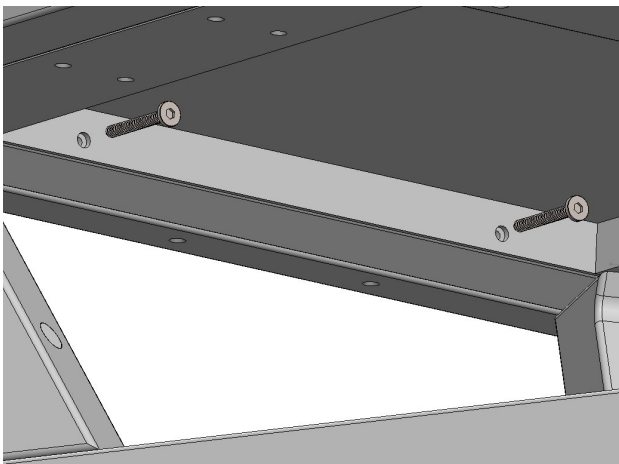


**2****ASSEMBLE LEGS**

Attach Long Leg to Short Leg using (2) 50mm Lags and (2) 1 1/4" Philips head screws. Plug holes with 5/8" taps®.

**3****ATTACH CONNECTOR TO LEGS**

Attach Connector to legs using (4) 50mm Lags.

**4****ATTACH CONNECTOR TO ALUMINUM FROM UNDERNEATH**

Attach Leg Assembly to Top using (4) 50mm Lags to Connector through aluminum holes.