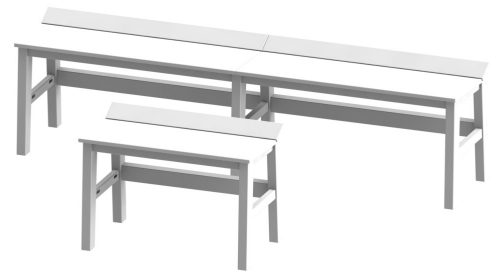
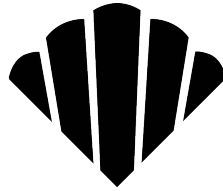


SYM Benches
 (215) 28" Bench
 (216) 72" Bench



SEASIDE CASUAL

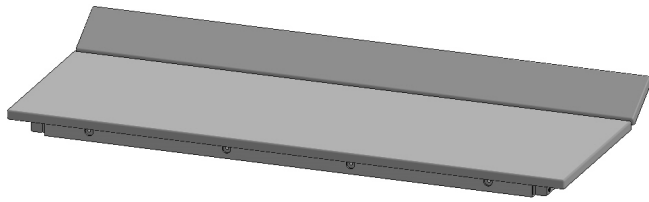
ASSEMBLY INSTRUCTIONS

1

PLEASE READ INSTRUCTIONS COMPLETELY BEFORE BEGINNING.
 Carefully remove contents from box. Make sure that all parts and hardware are included using the Parts List below.

Tools Required: 4mm Allen Wrench (included); #2 Phillips Head Screwdriver; Rubber Mallet

Seat Assemblies



215 x 1

216 x 2

Front Apron



215 x 1

216 x 2

Hanger Bolts on 216 Only

Lower Rear Stretcher



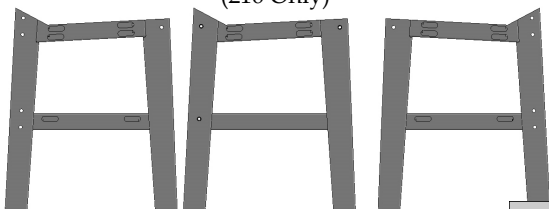
215 x 1

216 x 2

Hanger Bolts on 216 Only

Leg Assemblies

Left Center (216 Only) Right



x 1 EA

Rear Apron



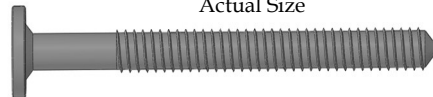
215 x 1

216 x 1L & 1R

Hanger Bolts on 216 Only

50mm Hex Lag

Actual Size



Part Code: 316-1/4-10-50HL x 10

4mm Allen Wrench

Actual Size



Part Code: 4MMALLEN x 1

1-1/4" Phillips Head Screw

Actual Size



215 x 12

216 x 20

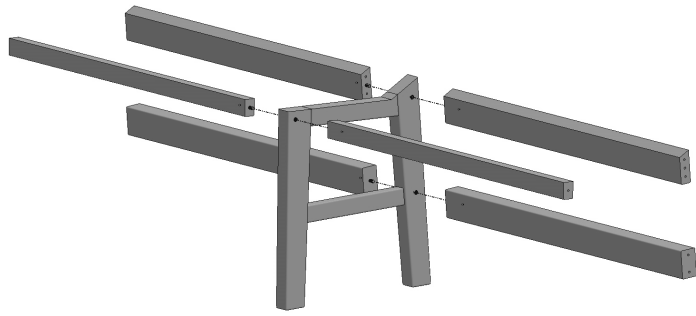
Part Code: 316-8X1-1/4PFDS

5/8" Bung



x 10

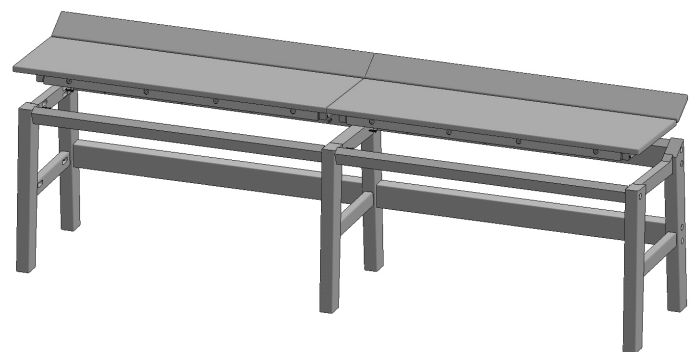
WARRANTY QUESTIONS OR COMMENTS PLEASE CALL TOLL FREE AT 1-800-809-3114

2**ATTACH APRONS & STRETCHERS TO CENTER LEG (216 ONLY)**

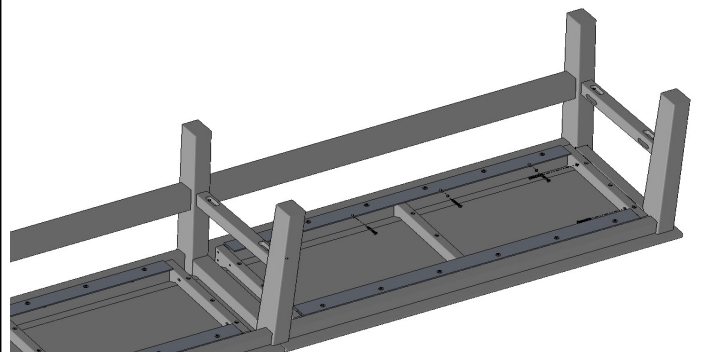
Align the angles on Left and Right Rear Aprons, with the hanger bolts towards center, to the Angle on rear of Center Leg Assembly. Thread in Aprons and Lower Rear Stretchers until tight and aligned as shown.

3**ATTACH OUTER LEGS**

Align Left and Right Leg Assemblies with Aprons and Lower Rear Stretcher. Secure using (10) 50mm Hex Lags into pilot holes. Plug Holes with 5/8" taps® using a Rubber Mallet.

4**INSERT SEAT ASSEMBLY**

Rotate Front Apron slightly outward. Insert Seat Assembly, starting with the rear, and lightly tap until Seat "pops" in.

5**SECURE SEAT ASSEMBLY**

Hold Seat tight to Frame. For 216, hold Seats so slats are tight together in the center. Secure using (12) 1-1/4" Phillips Head Screws for 215, and (20) for 216.