

HIP SIDEKICK TABLE

406



SEASIDE CASUAL



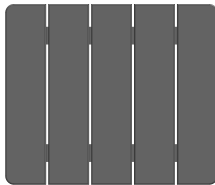
ASSEMBLY INSTRUCTIONS

1

PLEASE READ INSTRUCTIONS COMPLETELY BEFORE BEGINNING.
Carefully remove contents from box. Make sure that all parts and hardware are included using the Parts List below.

Tools Required: #2 Phillips Head Screwdriver;

TOP (406-1)



x 1

TABLE BASE (406F)



x 1

3/4" PHILLIPS PAN HEAD SCREW

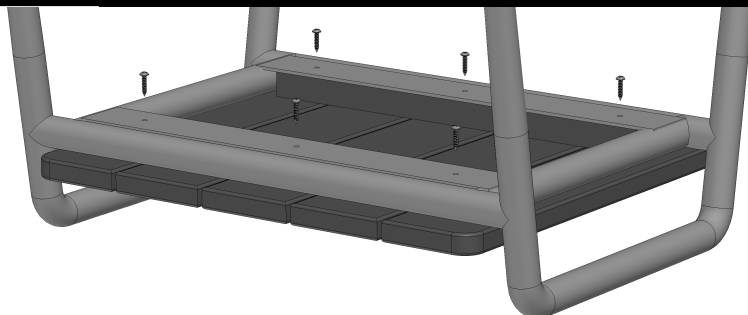
Actual Size



x 6

2

ATTACH TOP TO LEGS



On a clean flat surface connect legs to top using (4) 3/4" Phillips Pan Head Screws (AS SHOWN). Do Not Over Tighten.

WARRANTY QUESTIONS OR COMMENTS PLEASE CALL TOLL FREE AT 1 -800-809-3114

Seaside Casual Furniture | 11 Industrial Drive Coventry, RI 02816 | 800-809-3114 | sales@seasidecasual.com