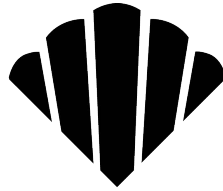
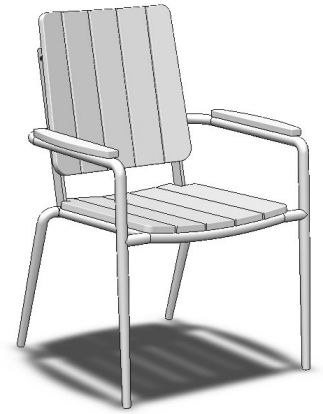


HIP CHAIR

410



SEASIDE CASUAL



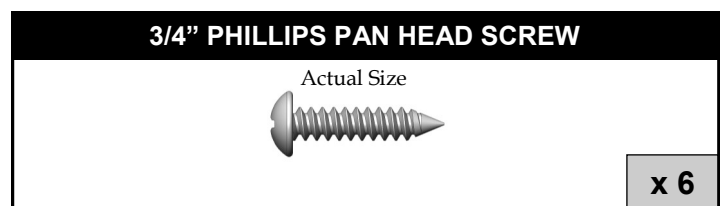
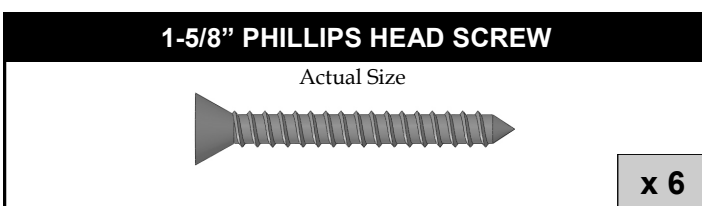
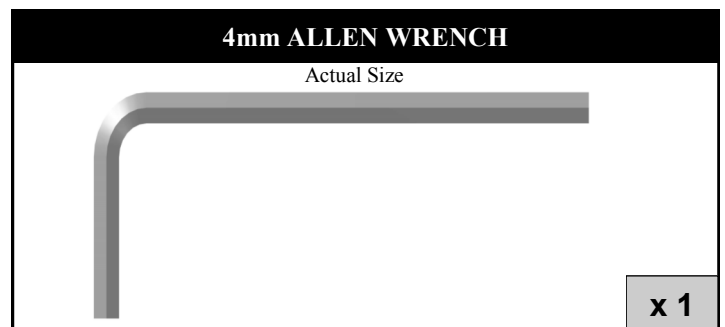
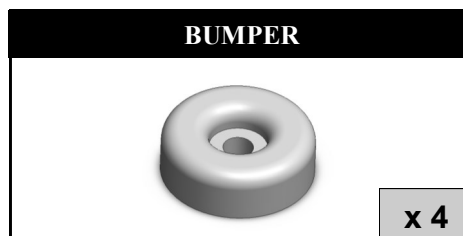
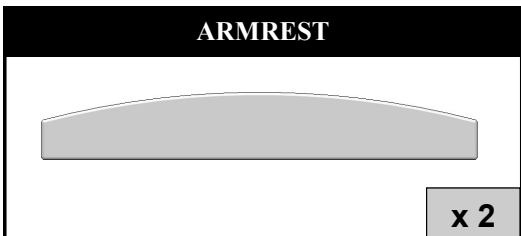
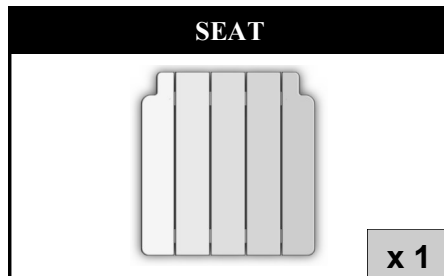
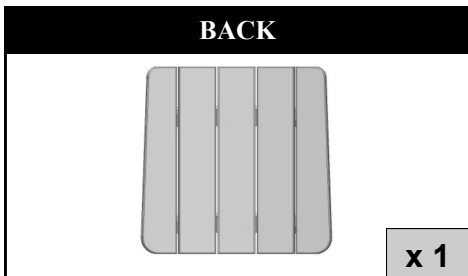
ASSEMBLY INSTRUCTIONS

1

PLEASE READ INSTRUCTIONS COMPLETELY BEFORE BEGINNING.

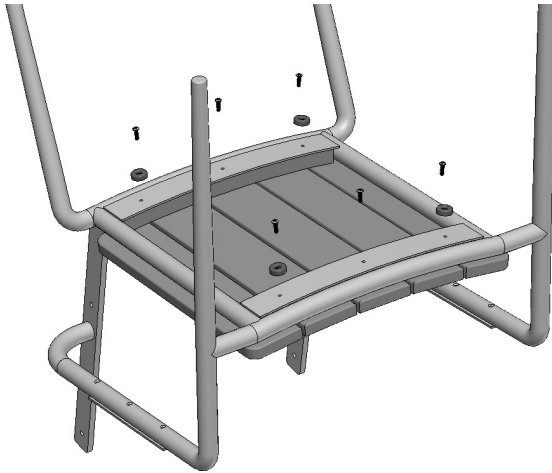
Carefully remove contents from box. Make sure that all parts and hardware are included using the Parts List below.

Tools Required: 4mm Allen Wrench (included); #2 Phillips Head Screwdriver;
(Recommended: Rubber Mallet; Power Drill)

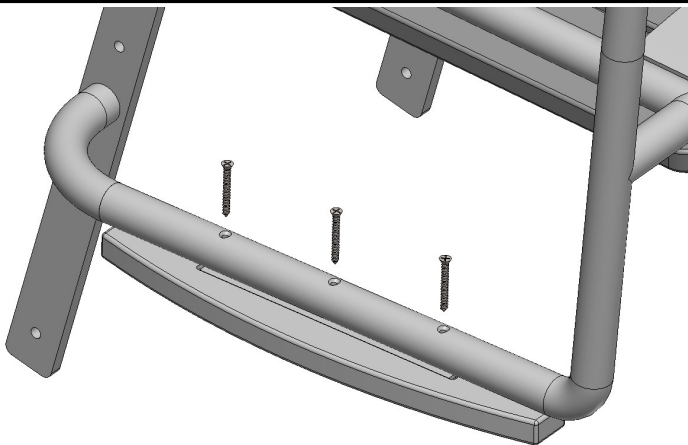


WARRANTY QUESTIONS OR COMMENTS PLEASE CALL TOLL FREE AT 1-800-809-3114

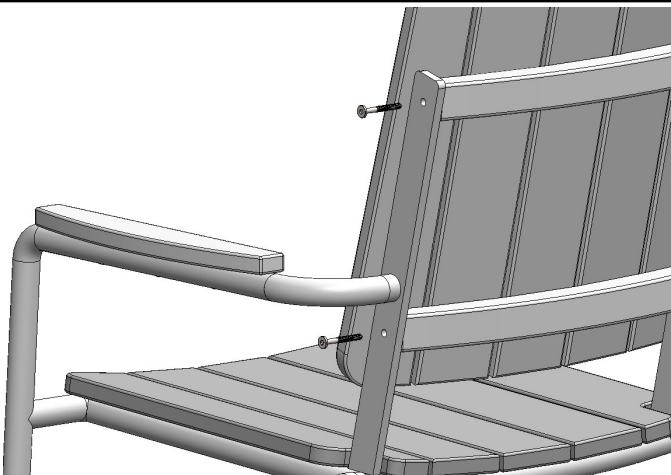
Seaside Casual Furniture | 11 Industrial Drive Coventry, RI 02816 | 800-809-3114 | sales@seasidecasual.com

2**ATTACH SEAT**

On a clean flat surface push seat tight to the front of the chair frame. Attach Seat with (6) 3/4" Phillips pan head screws. Secure Bumpers in locations shown. Do not over tighten.

3**ATTACH ARMRESTS**

On a clean flat surface align armrest with slot and attach using (3) 1 5/8" Phillips head screws. Repeat on opposite side. Do not over tighten.

4**ATTACH BACK**

Align pilot holes in rear yokes of Back with the holes in the Chair frame. Secure with (4) 50mm Hex lags. Do not over tighten.