

# SEASIDE CASUAL

## ASSEMBLY INSTRUCTIONS

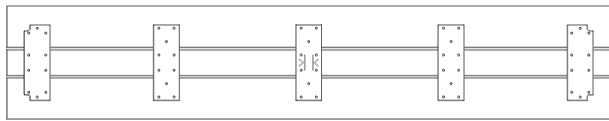
**1**

**PLEASE READ INSTRUCTIONS COMPLETELY BEFORE BEGINNING.**

Carefully remove contents from box. Make sure that all parts and hardware are included using the Parts List below.

**Tools Required:** 4mm Allen Wrench (included); #2 Phillips Head Screwdriver; Socket set (Recommended: Rubber Mallet; Power Drill)

**TOP ASSEMBLY**



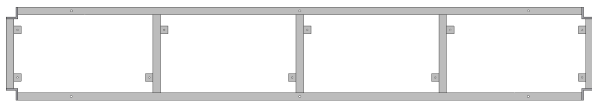
x 1

**LEG**



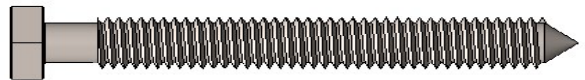
x 4

**FRAME ASSEMBLY**



x 1

**1/4" X 80mm HEX HEAD LAG**



x 8

**3/4" PAN HEAD SCREW**



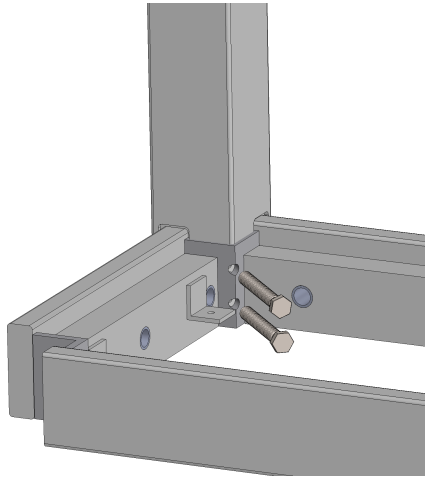
x 10

**4mm ALLEN WRENCH**

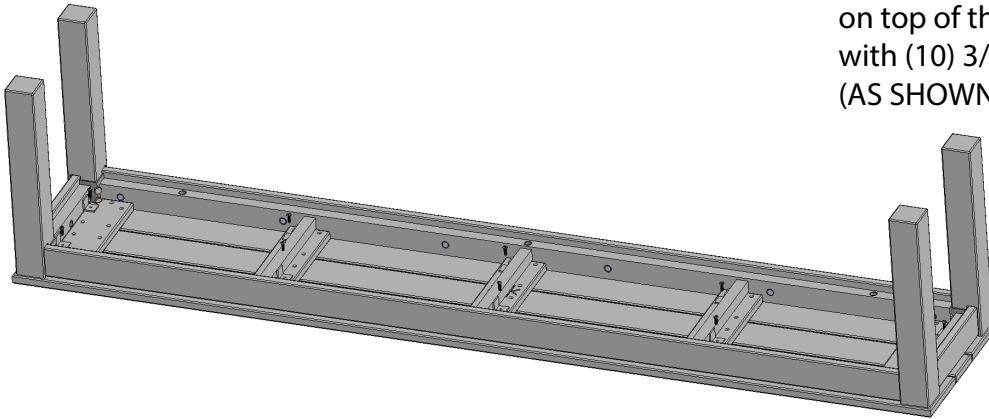
Actual Size



x 1

**1****ATTACH LEGS**

On a clean flat surface connect Legs to Frame Assembly with (2) 1/4"x80mm Lags (AS SHOWN). Do Not Over Tighten.

**2****ATTACH SEAT ASSEMBLY**

On a clean surface place frame and legs on top of the top assembly and attach with (10) 3/4" Pan Head screws (AS SHOWN). Do Not Over Tighten.