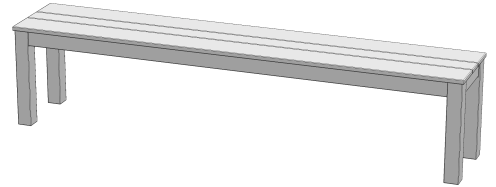


# Greenwich 80" Bench

611W



## SEASIDE CASUAL

### ASSEMBLY INSTRUCTIONS

# 1

**PLEASE READ INSTRUCTIONS COMPLETELY BEFORE BEGINNING.**

Carefully remove contents from box. Make sure that all parts and hardware are Included using the Parts List below.

**Tools Required:** 4mm Allen Wrench (included); #2 Phillips Head Screwdriver; Socket set (Recommended: Rubber Mallet; Power Drill)

#### WOVEN TOP ASSEMBLY



x 1

#### LEG



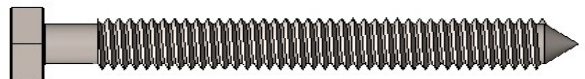
x 4

#### FRAME ASSEMBLY



x 1

#### 80mm HEX HEAD LAG



x 8

#### M6 SHOULDER SCREW



x 6

#### 4mm ALLEN WRENCH

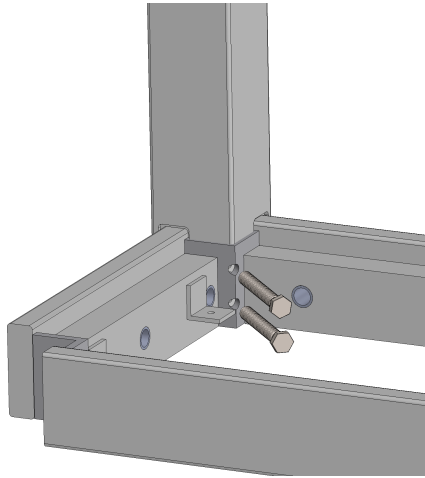
Actual Size



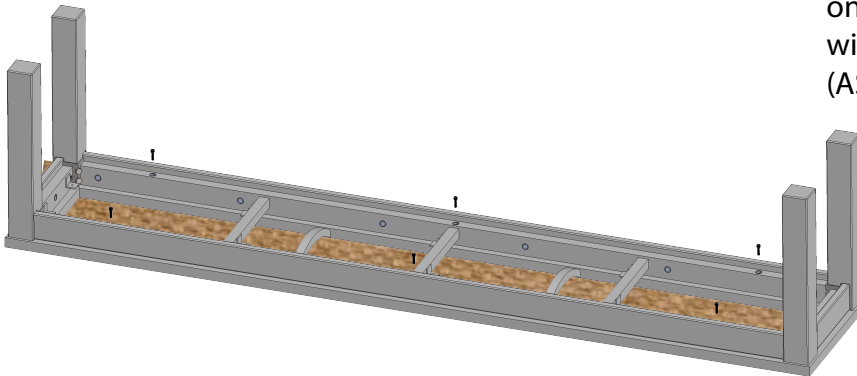
x 1

WARRANTY QUESTIONS OR COMMENTS PLEASE CALL TOLL FREE AT 1-800-809-3114

Seaside Casual Furniture | 11 Industrial Drive Coventry, RI 02816 | 800-809-3114 | sales@seasidecasual.com

**1****ATTACH LEGS**

On a clean flat surface connect Legs to Frame Assembly with (2) 80mm Lags Per Leg (AS SHOWN). Do Not Over Tighten.

**2****ATTACH SEAT BACK ASSEMBLY**

On a clean surface place frame and legs on top of the top assembly and attach with (6) M6 Shoulder Screws (AS SHOWN). Do Not Over Tighten.