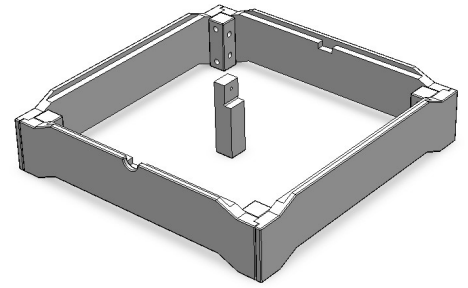


AURA 6" DINING RISER

901R6



SEASIDE CASUAL

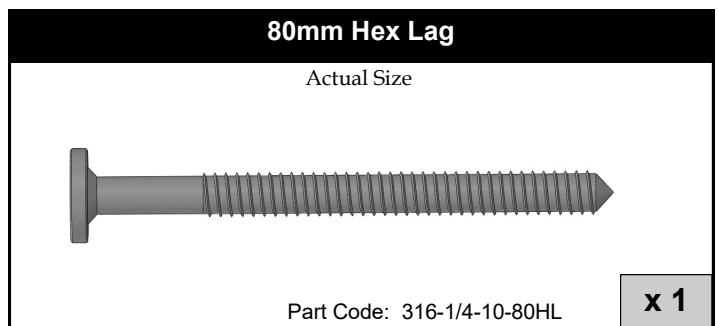
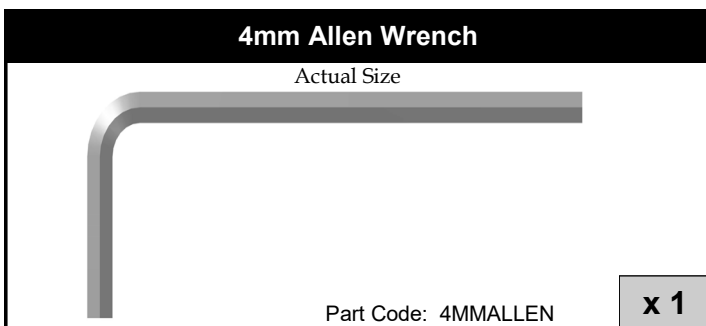
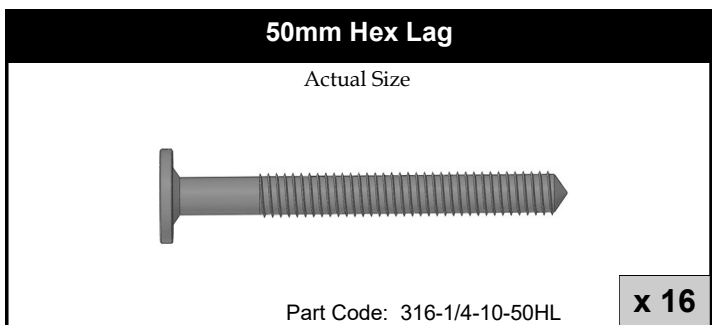
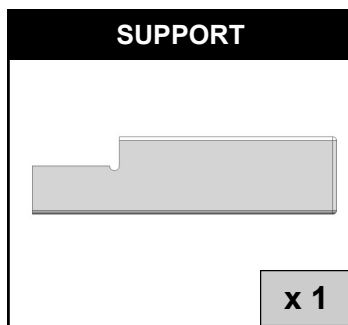
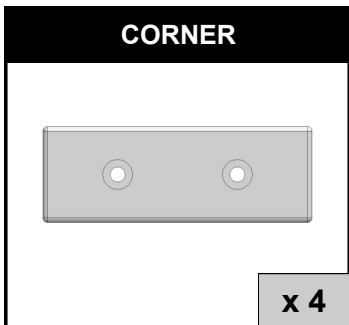
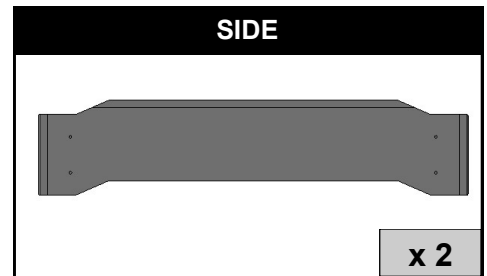
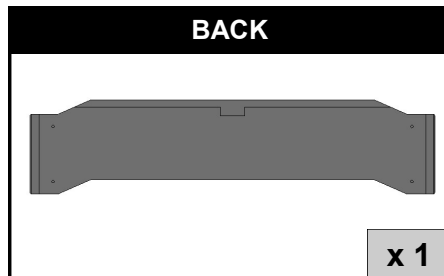
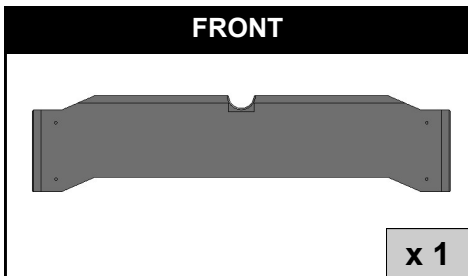


ASSEMBLY INSTRUCTIONS

1

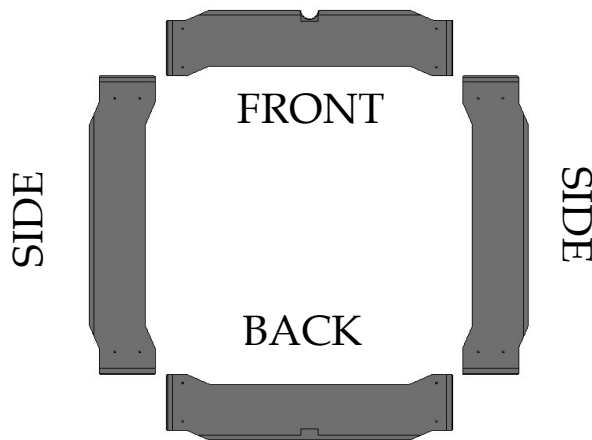
PLEASE READ INSTRUCTIONS COMPLETELY BEFORE BEGINNING.
Carefully remove contents from box. Make sure that all parts and hardware are included using the Parts List below.

Tools Required: 4mm Allen Wrench (included); #2 Phillips Head Screwdriver;
(Recommended: Rubber Mallet; Power Drill)



2

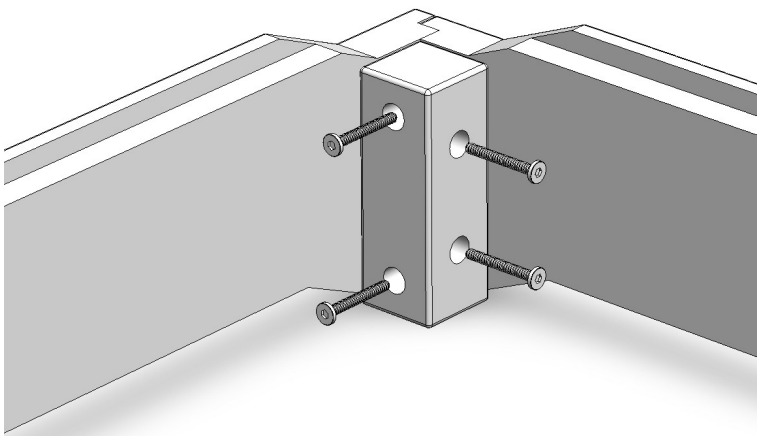
ARRANGE PARTS



Begin by arranging parts on a flat surface as shown. Holes facing up. Take note of location of components.

3

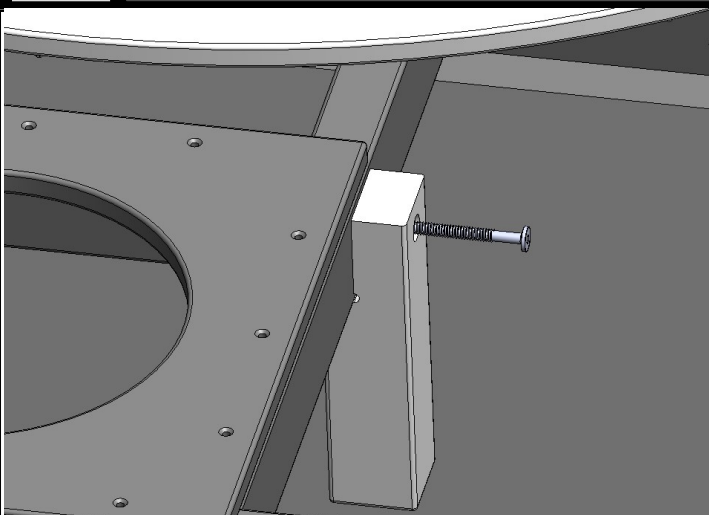
ATTACH CORNERS



Using (16) 50mm Lags, align (4) CORNER with pre-drilled holes on FRONT, BACK, and SIDE(s). Do not tighten completely. Once (4) corners are upright and in position, fully tighten all hardware.

4

ATTACH SUPPORT AND COMPLETE ASSEMBLY



Finally, remove access door on your 901 Aura Fire Table. Locate hole to be used to attach SUPPORT. Remove existing LAG and replace with 80mm LAG included in your hardware pack.

Place 901 AURA Fire Table on top of 901R6.