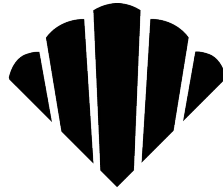


**42 x 72 & 42 x 56
Portsmouth Table**



SEASIDE CASUAL



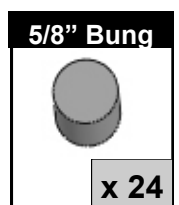
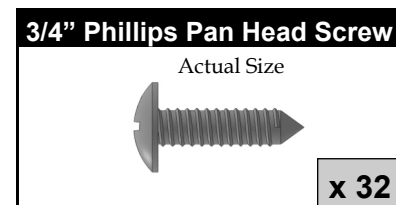
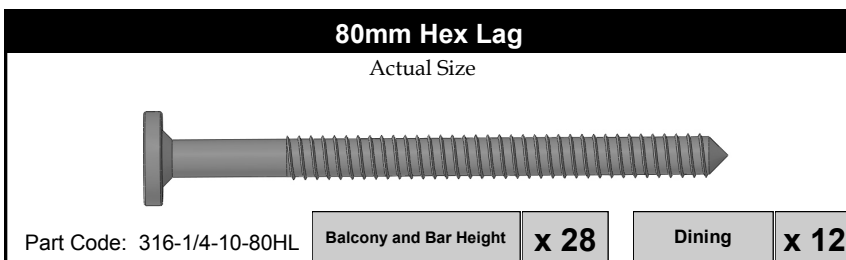
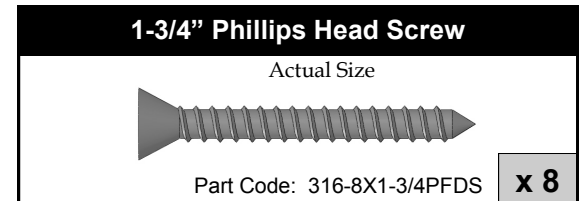
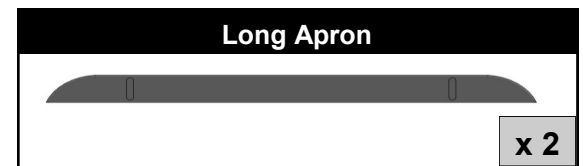
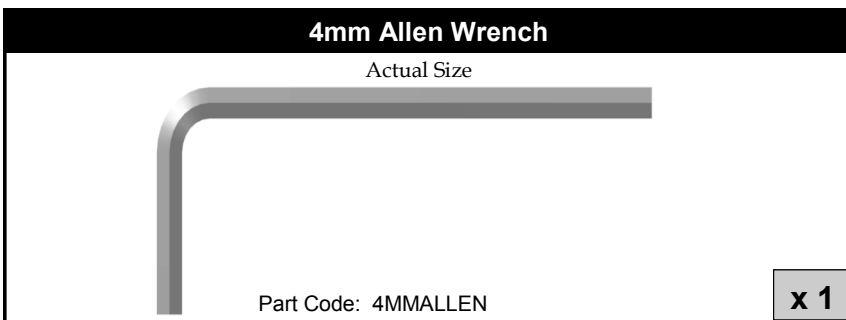
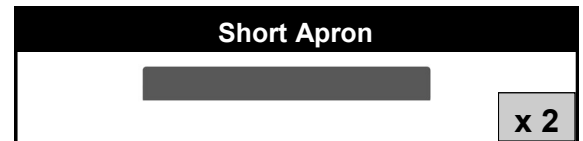
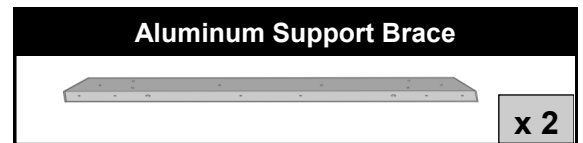
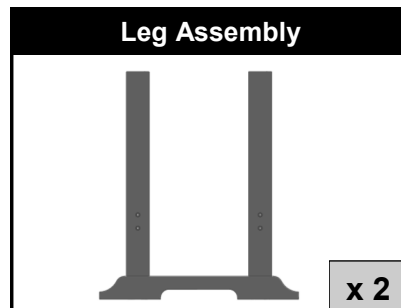
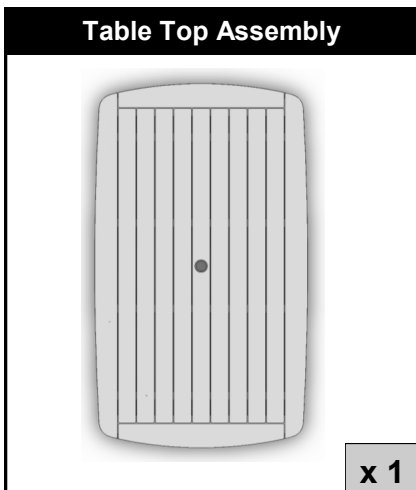
(052, 053 Dining)
(083 Balcony)
(086, 085 Bar)

ASSEMBLY INSTRUCTIONS

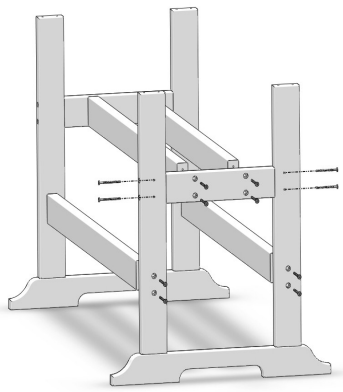
1

PLEASE READ INSTRUCTIONS COMPLETELY BEFORE BEGINNING.
Carefully remove contents from box. Make sure that all parts and hardware are included using the Parts List below.

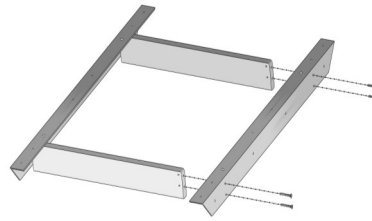
Tools Required: 4mm Allen Wrench (included); #2 Phillips Head Screwdriver;
Rubber Mallet



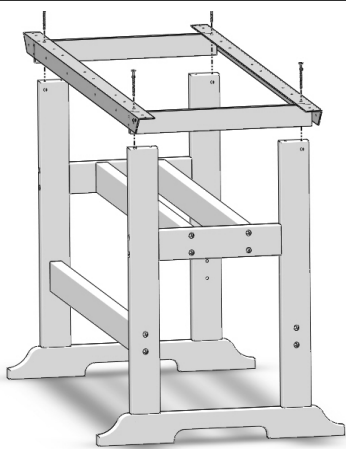
WARRANTY QUESTIONS OR COMMENTS PLEASE CALL TOLL FREE AT 1-800-809-3114

2**ATTACH STRETCHERS TO LEG ASSEMBLIES**

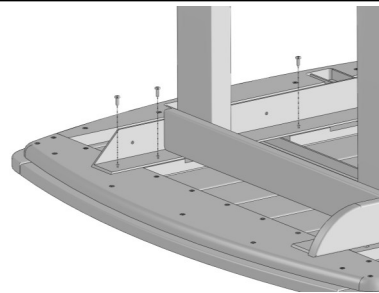
Attach Stretchers to Leg Assemblies using (24) 80mm Hex Lags (8 for Dining Height) as shown. Plug holes with 5/8" Bungs using Rubber Mallet.

3**ATTACH SHORT APRONS TO ALUMINUM SUPPORT BRACE**

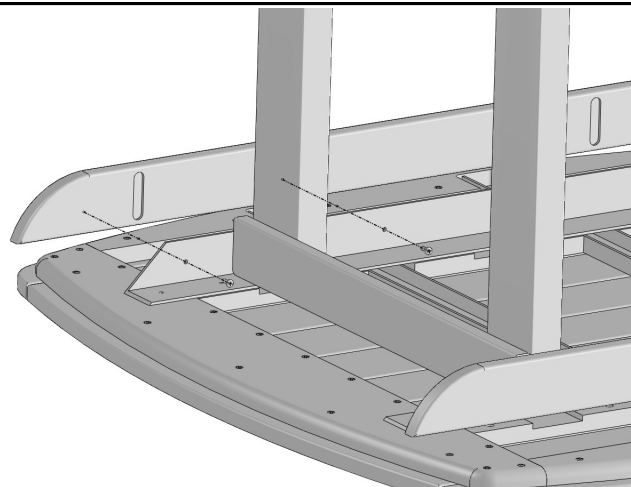
Align predrilled holes in Short Aprons with holes in Aluminum Support Brace as shown. Secure using (8) 1 3/4" Phillips Head Screws.

4**ATTACH ALUMINUM SUPPORT TO BASE ASSEMBLY**

Align large holes in Aluminum Support Braces with Predrilled holes on outside corners of Legs as shown. Secure using (4) 80mm Hex Lags.

5**ATTACH BASE ASSEMBLY TO TABLE TOP ASSEMBLY**

Flip over Base Assembly and align Aluminum with cleats on the Table Top Assembly. Secure using (20) 3/4" Pan Head Screws.

6**ATTACH LONG APRONS.**

Align Long Aprons with Aluminum Support Brace. Ensure that pockets in Long Apron are aligned with Screws used to attach Short Aprons. Secure using (12) 3/4" Pan Head Screws thru Aluminum Support Brace.