

**Adirondack  
Balcony Chair**  
(017 Shell Back)  
(024 Classic Back)

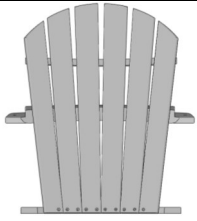
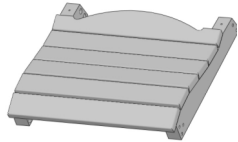
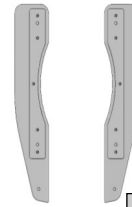
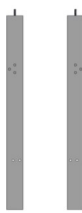
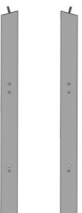



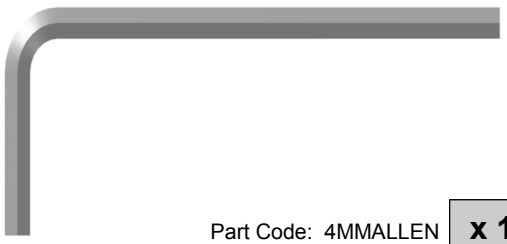


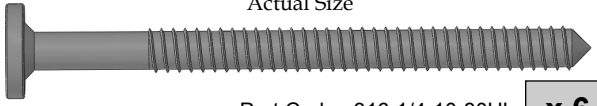


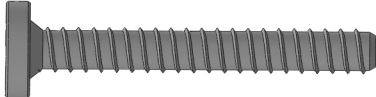




## ASSEMBLY INSTRUCTIONS

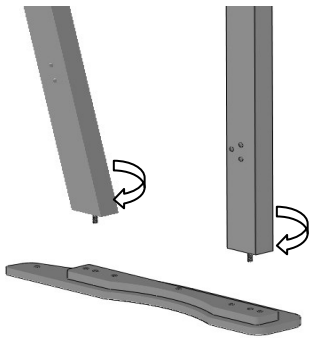
**1**

**PLEASE READ INSTRUCTIONS COMPLETELY BEFORE BEGINNING.**  
Carefully remove contents from box. Make sure that all parts and hardware are included using the Parts List below.

**Tools Required:** 4mm Allen Wrench (included); #2 Phillips Head Screwdriver; #3 Phillips Head Screwdriver.

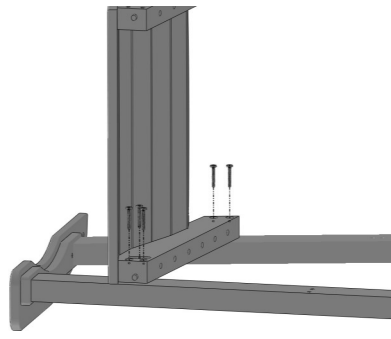
<p><b>Back Assembly</b></p>  <p>x 1</p>	<p><b>Seat Assembly</b></p>  <p>x 1</p>	<p><b>Arm Set</b></p> <p>Right Left</p>  <p>x 1</p>	<p><b>Front Leg Set</b></p> <p>Left Right</p>  <p>x 1</p>	<p><b>Rear Leg Set</b></p> <p>Left Right</p>  <p>x 1</p>
<p><b>Foot Rest</b></p>  <p>x 1</p>	<p><b>Rear Stretcher</b></p>  <p>x 1</p>	<p><b>Seat Apron</b></p>  <p>x 2</p>	<p><b>4mm Allen Wrench</b></p>  <p>Part Code: 4MMALLEN x 1</p>	
<p><b>Side Stretcher</b></p>  <p>x 2</p>	<p><b>Bungs</b></p> <p>5/8" 3/8"</p>  <p>x 6 x 4</p>			
<p><b>80mm Hex Lag</b></p> <p>Actual Size</p>  <p>Part Code: 316-1/4-10-80HL x 6</p>	<p><b>Nylon Dowel</b></p> <p>Actual Size</p>  <p>x 2</p>	<p><b>1-3/4" Phillips Head Screw</b></p> <p>Actual Size</p>  <p>Part Code: 316-8X1-3/4PFDS x 6</p>		
<p><b>50mm Connector Bolt</b></p> <p>Actual Size</p>  <p>Part Code: 316-1/4-20-50B x 10</p>	<p><b>1 1/4" Phillips Head Screw</b></p> <p>Actual Size</p>  <p>Part Code: 316-8X1-1/4PFDS x 4</p>	<p><b>1" Phillips Pan Head Screw</b></p> <p>Actual Size</p>  <p>Part Code: 316-1/4-20-1PPMS x 2</p>		

WARRANTY QUESTIONS OR COMMENTS PLEASE CALL TOLL FREE AT 1-800-809-3114

**2****ATTACH LEGS TO ARM ASSEMBLY**

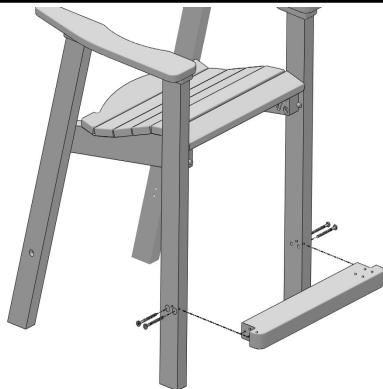
Insert right side Front and Rear Legs into threaded inserts in Right Arm assembly as shown. Turn clock-wise until snug. Continue turning until legs are into aligned position with threaded inserts towards radius side of arm.

**Repeat process for left side.**

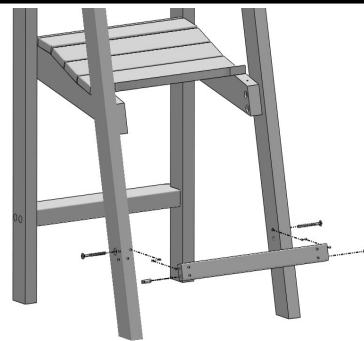
**3****ATTACH SEAT TO LEGS**

Align counter-bored holes in Seat Assembly with threaded inserts in Legs. Attach using (5) 50mm Connector Bolts. Do not over tighten.

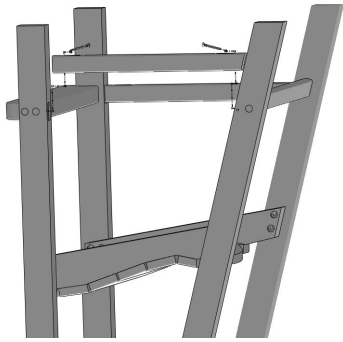
**Repeat process for other side.**

**4****ATTACH FOOT REST TO FRONT LEGS**

Attach Foot Rest to Front Legs using (4) 80mm Hex Lags thru counter-bored holes in Front Legs. Plug holes with (4) 5/8" Bungs.

**5****ATTACH REAR STRETCHER TO REAR LEGS**

Attach Rear Stretcher to Rear Legs using (2) Nylon Dowels placed into the larger of the holes in the Stretcher. Align with holes in Rear Legs. Secure using (2) 80mm Hex Lags thru counter-bored holes in Rear Legs. Plug holes with (2) 5/8" Bungs.

**6****ATTACH SIDE STRETCHERS TO FRONT AND REAR LEGS**

Flip Assembly upside down. Align Side Stretcher with pockets in Front and Rear Legs. Secure using (2) 1 3/4" Phillips

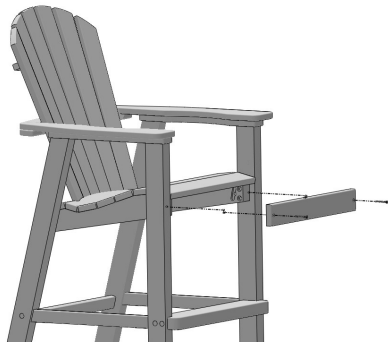
Head Screws.

**Repeat Process for other side.**

**7****ATTACH BACK ASSEMBLY**

Align Back Assembly with Arms and Seat. Secure upper yoke by inserting (2) 1" Phillips Pan Head

Machine Screws into threaded insert in Arms using a #3 Phillips head screwdriver. Screw in lower yoke thru counter-sunk holes in bottom of seat supports using (2) 1 3/4" Phillips Deck Screws.

**8****ATTACH FRONT AND REAR SEAT APRONS**

Attach front and rear Seat Aprons by inserting (4) 1 1/4" Phillips Deck Screws into front and rear

of seat supports. Plug holes with (4) 3/8" Bungs.

**9**

**TIGHTEN ALL CONNECTIONS. AVOID OVER TIGHTENING; DOING SO CAN CAUSE DAMAGE TO THE PRODUCT.**