

Adirondack Coffee Table (030)



SEASIDE CASUAL

MADE IN RHODE ISLAND



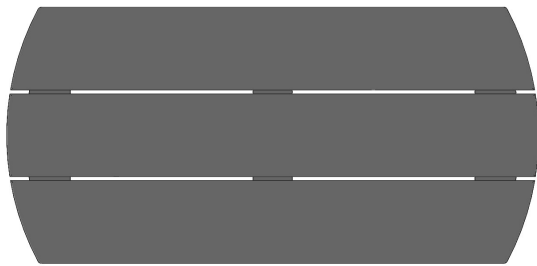
ASSEMBLY INSTRUCTIONS

1

PLEASE READ INSTRUCTIONS COMPLETELY BEFORE BEGINNING.
Carefully remove contents from box. Make sure that all parts and hardware are included using the Parts List below.

Tools Required: #2 Phillips Head Screwdriver

Top Assembly



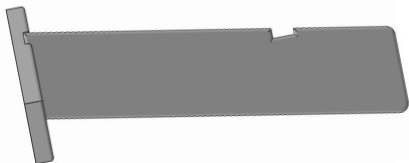
x 1

Shelf Assembly



x 1

Leg Assembly 1



x 2

Leg Assembly 2



x 2

1-3/4" Phillips Head Screw

Actual Size



Part Code: 316-8X1-3/4PFDS

x 4

1-1/4" Phillips Head Screw

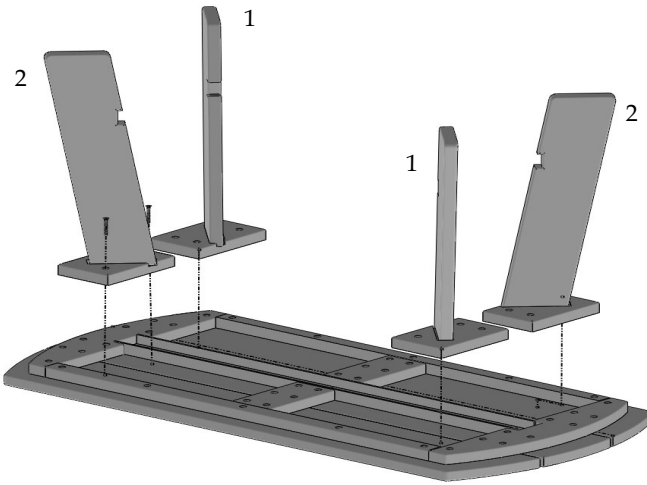
Actual Size



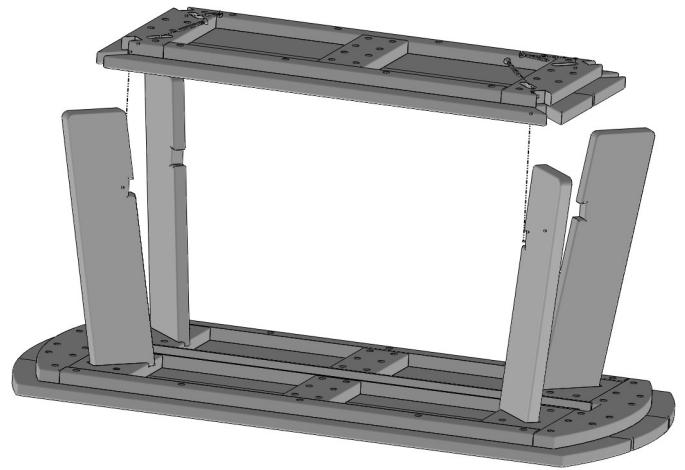
Part Code: 316-8X1-1/4PFDS

x 12

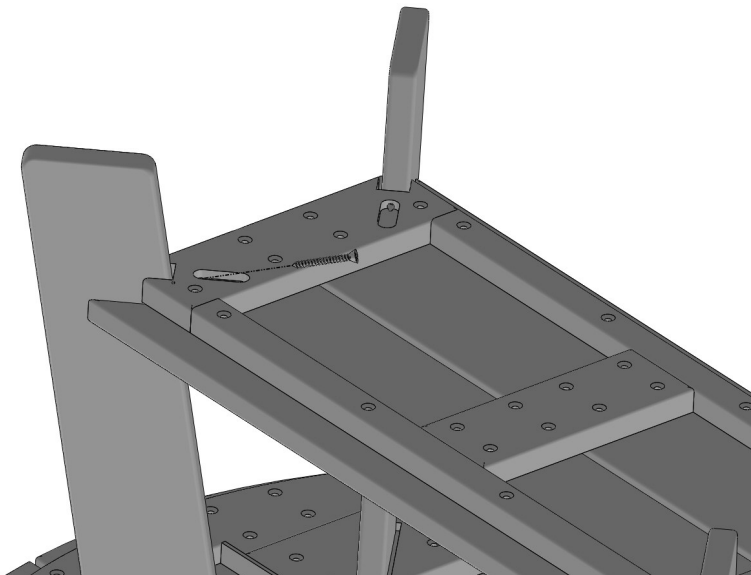
WARRANTY QUESTIONS OR COMMENTS PLEASE CALL TOLL FREE AT 1-800-809-3114

2**ATTACH LEG ASSEMBLIES TO TABLE TOP**

Align Legs to table top as shown with the angles pointing outward, and notches facing inward. Secure using (12) 1-1/4" Phillips Head Screws.

3**ATTACH LOWER SHELF**

Align the notches in the Shelf with the Legs. Slide down until the notches in the Shelf lock in with the notches in the legs.

4**SECURE LOWER SHELF TO LEGS**

Secure Lower Shelf to Legs using (4) 1-3/4" Phillips Head Screws thru holes in shelf into legs.