

Sonoma 36" Bench
(070)



SEASIDE CASUAL

MADE IN RHODE ISLAND



ASSEMBLY INSTRUCTIONS

1

PLEASE READ INSTRUCTIONS COMPLETELY BEFORE BEGINNING.
Carefully remove contents from box. Make sure that all parts and hardware are included using the Parts List below.

Tools Required: 4mm Allen Wrench (included); #2 Phillips Head Screwdriver;

End Caps



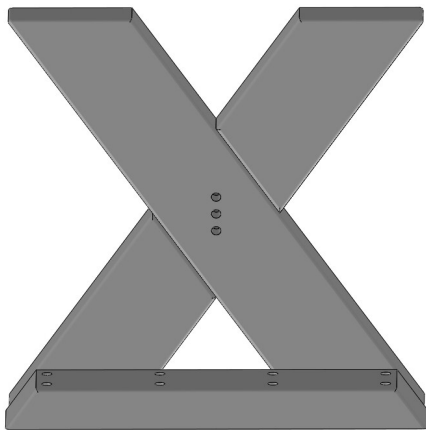
x 2

Seat Assembly



x 1

Leg Assemblies



x 2

Stretcher



x 1

4mm Allen Wrench

Actual Size

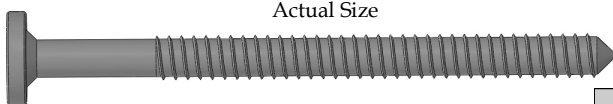


Part Code: 4MMALLEN

x 1

80mm Hex Lag

Actual Size



Part Code: 316-1/4-10-80HL

x 4

1-3/4" Phillips Head Screw

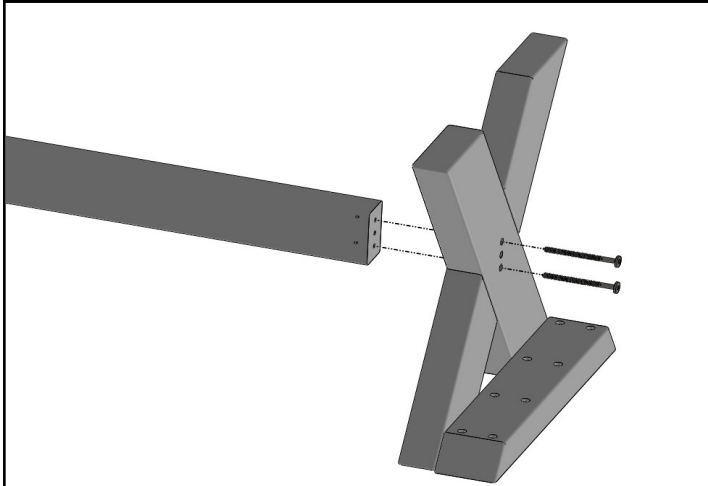
Actual Size



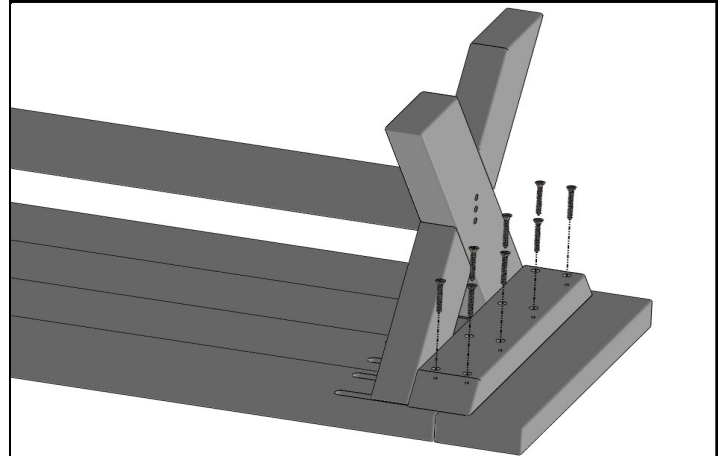
Part Code: 316-8X1-3/4PFDS

x 18

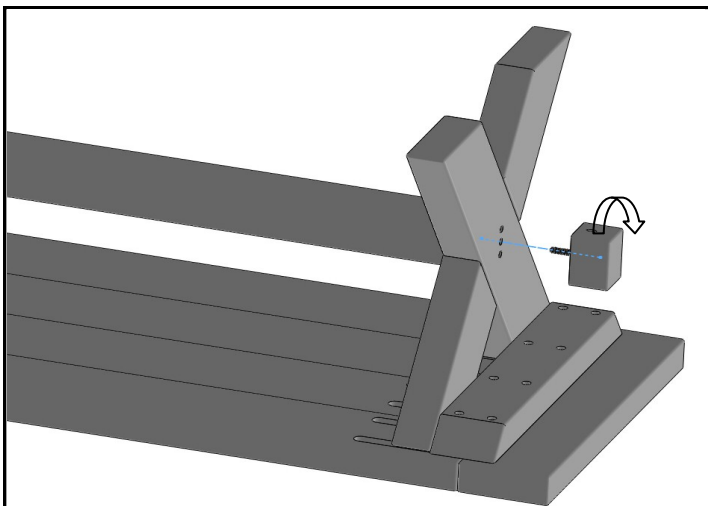
WARRANTY QUESTIONS OR COMMENTS PLEASE CALL TOLL FREE AT 1-800-809-3114

2**ATTACH STRETCHER TO LEG ASSEMBLIES**

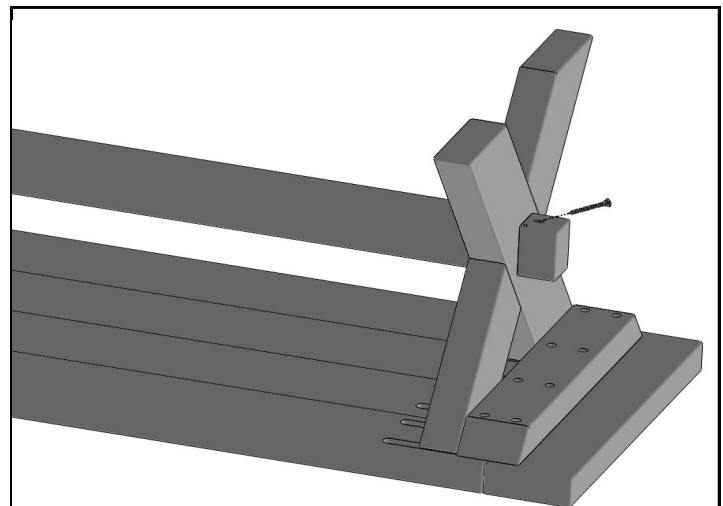
Attach stretcher to leg assemblies using (4) 80 mm Hex Lags thru counter-bored holes in Leg Assembly into pilot holes in both sides of Stretcher.

3**ATTACH BASE TO SEAT ASSEMBLY**

Turn Seat Assembly upside down on a clean, flat surface. Align base assembly centered on the seat assembly. Secure using (16) 1-3/4" Phillips Head Screws.

4**INSERT END CAPS**

Insert End Caps into threaded insert in leg assembly. Turn clockwise until snug. Continue turning until in line with the stretcher.

5**SECURE END CAPS**

Secure end cap into legs with (2) 1-3/4" Phillips Head Screws.