

# Portsmouth 30" Table

(Dining 055)

(Balcony 080)

(Bar 057)



## SEASIDE CASUAL

MADE IN RHODE ISLAND



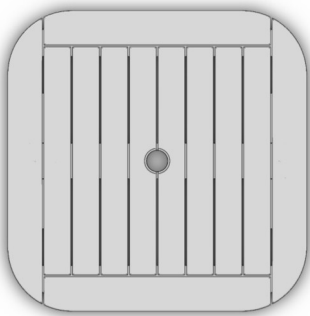
## ASSEMBLY INSTRUCTIONS

# 1

**PLEASE READ INSTRUCTIONS COMPLETELY BEFORE BEGINNING.**  
Carefully remove contents from box. Make sure that all parts and hardware are included using the Parts List below.

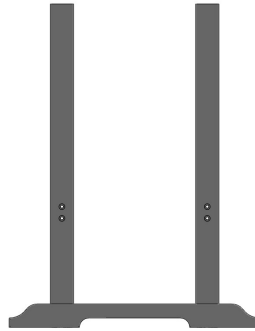
**Tools Required:** 4mm Allen Wrench (included); #2 Phillips Head Screwdriver; Rubber Mallet

### Table Top Assembly



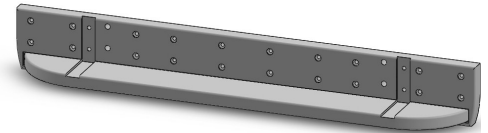
x 1

### Leg Assembly



x 2

### Long Apron Assembly



x 2

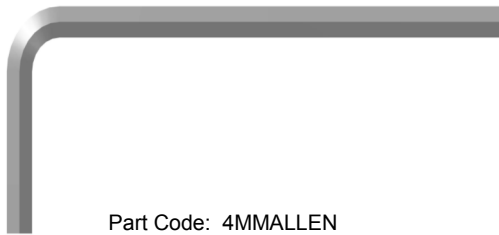
### Short Apron



x 2

### 4mm Allen Wrench

Actual Size



Part Code: 4MMALLEN

x 1

### Leg Stretcher

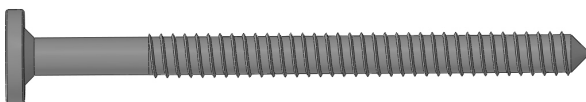


Dining and Balcony x 2

Bar Height x 4

### 80mm Hex Lag

Actual Size



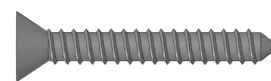
Part Code: 316-1/4-10-80HL

Dining and Balcony x 16

Bar Height x 24

### 1-1/4" Phillips Head Screw

Actual Size



Part Code: 316-8X1-1/4PFDS x 48

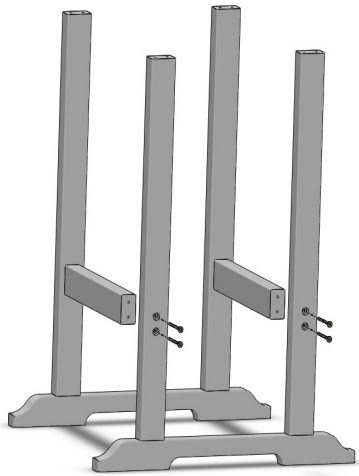
### 5/8" Bung

Actual Size

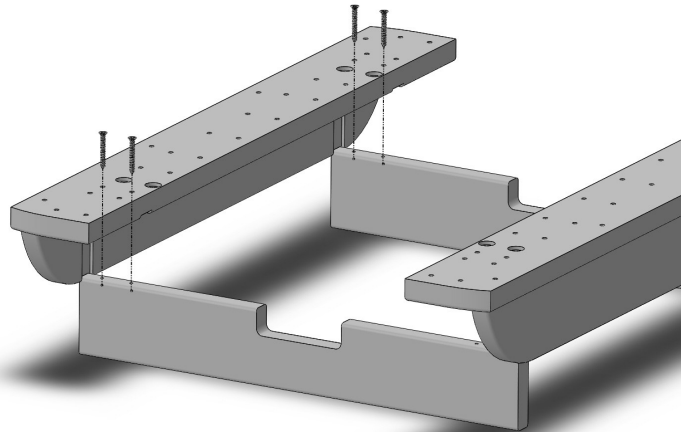


x 16

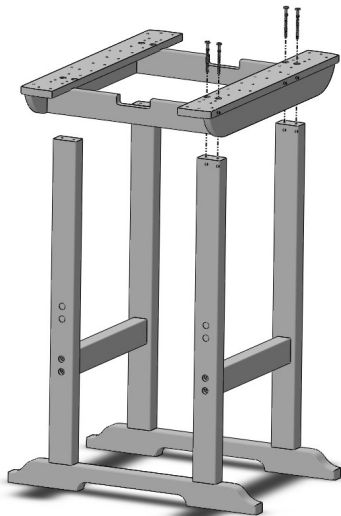
WARRANTY QUESTIONS OR COMMENTS PLEASE CALL TOLL FREE AT 1-800-809-3114

**2****ATTACH STRETCHERS TO LEG ASSEMBLIES**

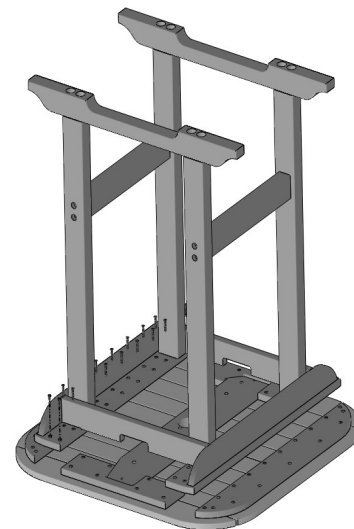
Attach Stretchers to Leg Assemblies using (8) 80mm Hex Lags (16 for Bar Height) as shown. Plug holes with 5/8" Bungs using Rubber Mallet.

**3****ATTACH SHORT APRONS TO LONG APRON ASSEMBLY**

Align slots in long apron assembly with short apron. Secure using (8) 1-1/4" Phillips Head Screws through pilot holes in short aprons.

**4****ATTACH APRON ASSEMBLY TO BASE ASSEMBLY**

Align counter-bored holes in long apron assembly with Predrilled holes on Legs as shown. Secure using (8) 80mm Hex Lags.

**5****ATTACH BASE ASSEMBLY TO TABLE TOP ASSEMBLY**

Flip over Base Assembly and align cleats on apron assembly with table top cleats. Secure using (40) 1-1/4" Phillips Head Screws.