

**MAD Adirondack Chair**  
(280)



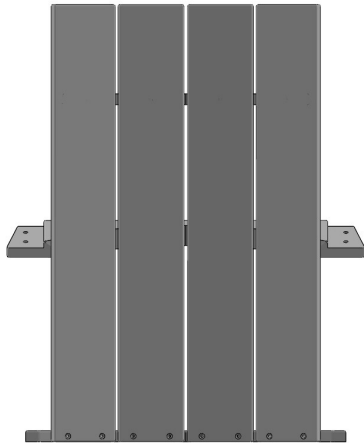
**ASSEMBLY INSTRUCTIONS**

**1**

**PLEASE READ INSTRUCTIONS COMPLETELY BEFORE BEGINNING.**  
Carefully remove contents from box. Make sure that all parts and hardware are included using the Parts List below.

**Tools Required:** 4mm Allen Wrench (included); #2 Phillips Head Screwdriver; #3 Phillips Head Screwdriver.

**Back Assembly**



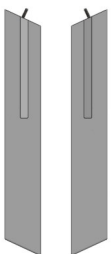
x 1

**Seat Assembly**



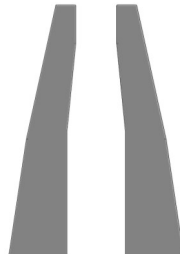
x 1

**Front Leg Assemblies**



x 1

**Right & Left Arm Assemblies**



x 1

**4mm Allen Wrench**

Actual Size

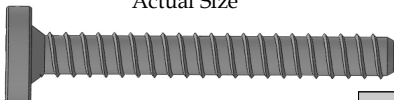


Part Code: 4MMALLEN

x 1

**50mm Connector Bolt**

Actual Size

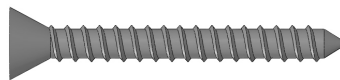


Part Code: 316-1/4-20-50B

x 8

**1-3/4" Phillips Head Screw**

Actual Size

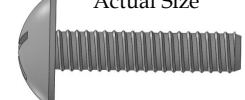


Part Code: 316-8X1-3/4PFDS

x 6

**1" Phillips Pan Head Screw**

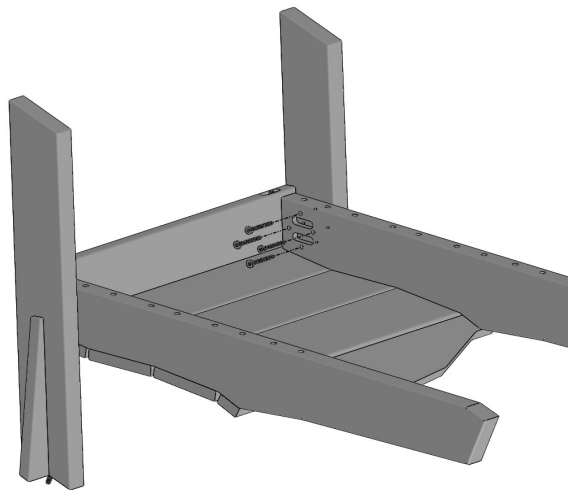
Actual Size



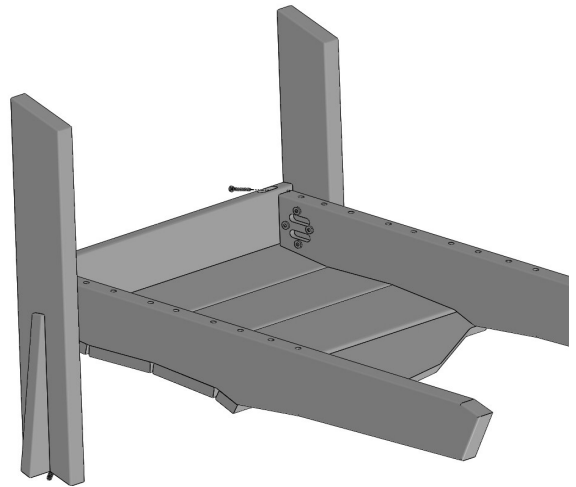
Part Code: 316-1/4-20-1PPMS

x 4

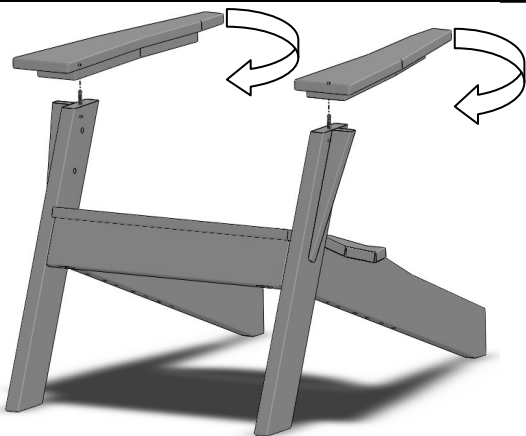
WARRANTY QUESTIONS OR COMMENTS PLEASE CALL TOLL FREE AT 1-800-809-3114

**2****ATTACH LEGS TO SEAT ASSEMBLY**

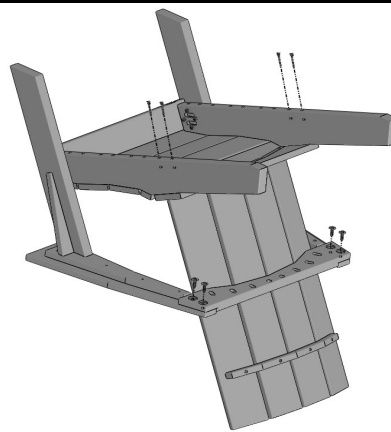
Align Front Leg Assemblies with Seat Assembly. Secure using (8) 50 mm Connector Bolts thru threaded inserts in Legs using a 4mm Allen wrench.

**3****ATTACH SEAT APRON TO LEGS**

Attach front apron of Seat Assembly to Front Legs with (2) 1-3/4" Phillips Head Screws as shown using a #2 Phillips head screwdriver.

**4****ATTACH ARMS TO FRONT LEGS**

Align threaded insert in front of Arm Assemblies with hanger bolt in front legs. Spin clockwise until aligned and tight.

**5****ATTACH BACK ASSEMBLY**

Align Back Assembly as shown. Secure using (4) 1" Phillips Pan Head Screws from upper yoke into Arms using a #3 Phillips head screwdriver, and (4) 1-3/4" Phillips Head Screws from seat support into lower yoke using a #2 Phillips head screwdriver.