

MAD Foot Stool
(290)



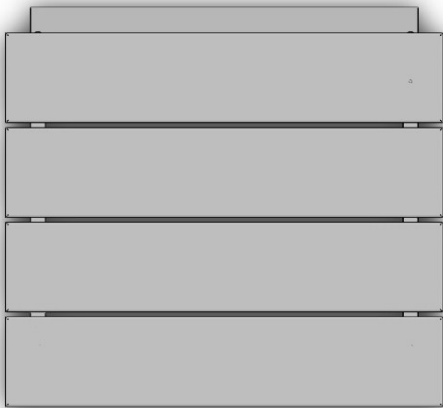
ASSEMBLY INSTRUCTIONS

1

PLEASE READ INSTRUCTIONS COMPLETELY BEFORE BEGINNING.
Carefully remove contents from box. Make sure that all parts and hardware are included using the Parts List below.

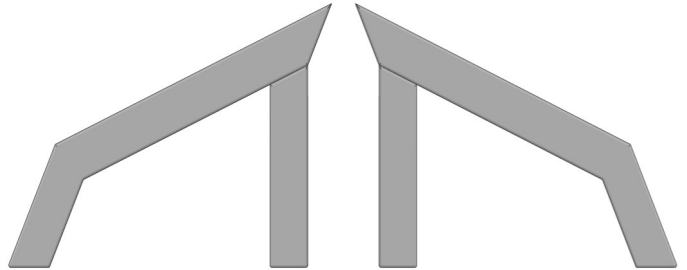
Tools Required: #2 Phillips Head Screwdriver

Stool Top Assembly



x 1

Leg Assemblies



x 1 ea

1-1/4" Phillips Head Screw

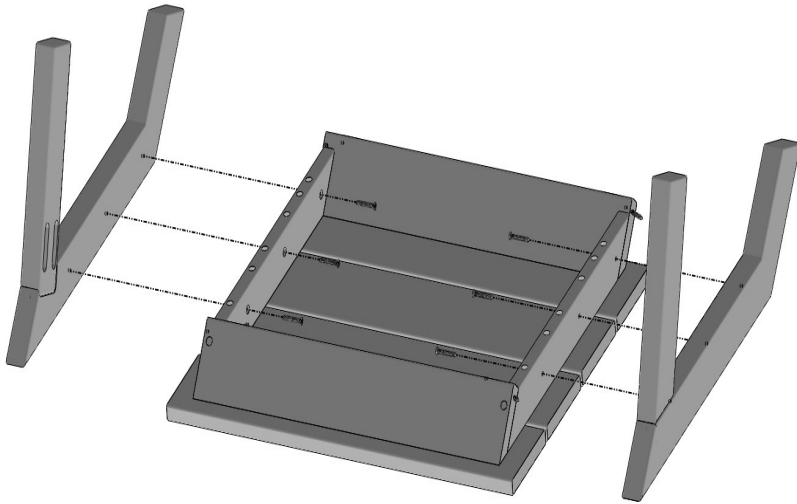
Actual Size



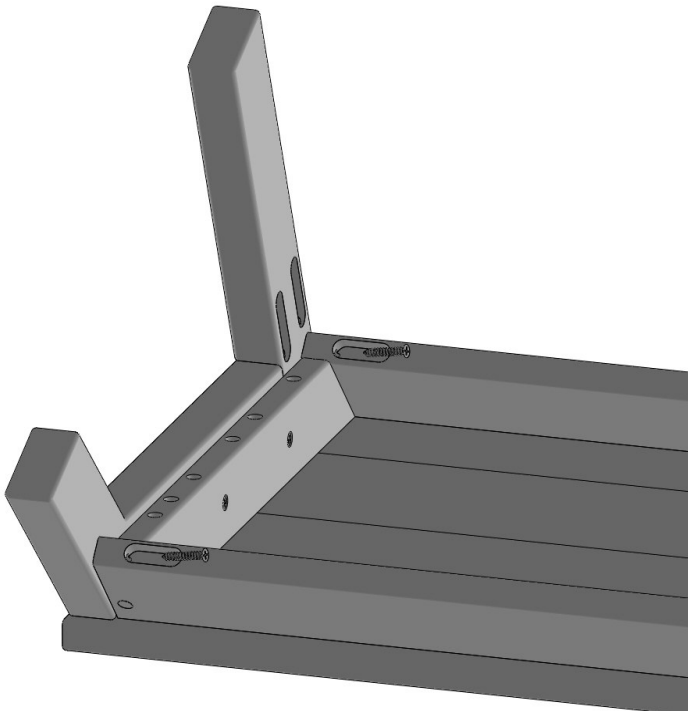
Part Code: 316-8X1-1/4PFDS

x 10

WARRANTY QUESTIONS OR COMMENTS PLEASE CALL TOLL FREE AT 1-800-809-3114

2**ATTACH LEGS TO STOOL ASSEMBLY**

Align Leg Assemblies with Stool Assembly. Secure using (6) 1-1/4" Phillips Head Screws thru counter-sinks in Stool Assembly into pilot holes in Leg Assemblies.

3**SECURE APRONS TO LEG ASSEMBLIES**

Secure Aprons of Stool Assembly to Leg Assemblies using (4) 1-1/4" Phillips Head Screws thru pockets in aprons into Leg Assemblies.